

APP80C-GS

Motherboard layout reference

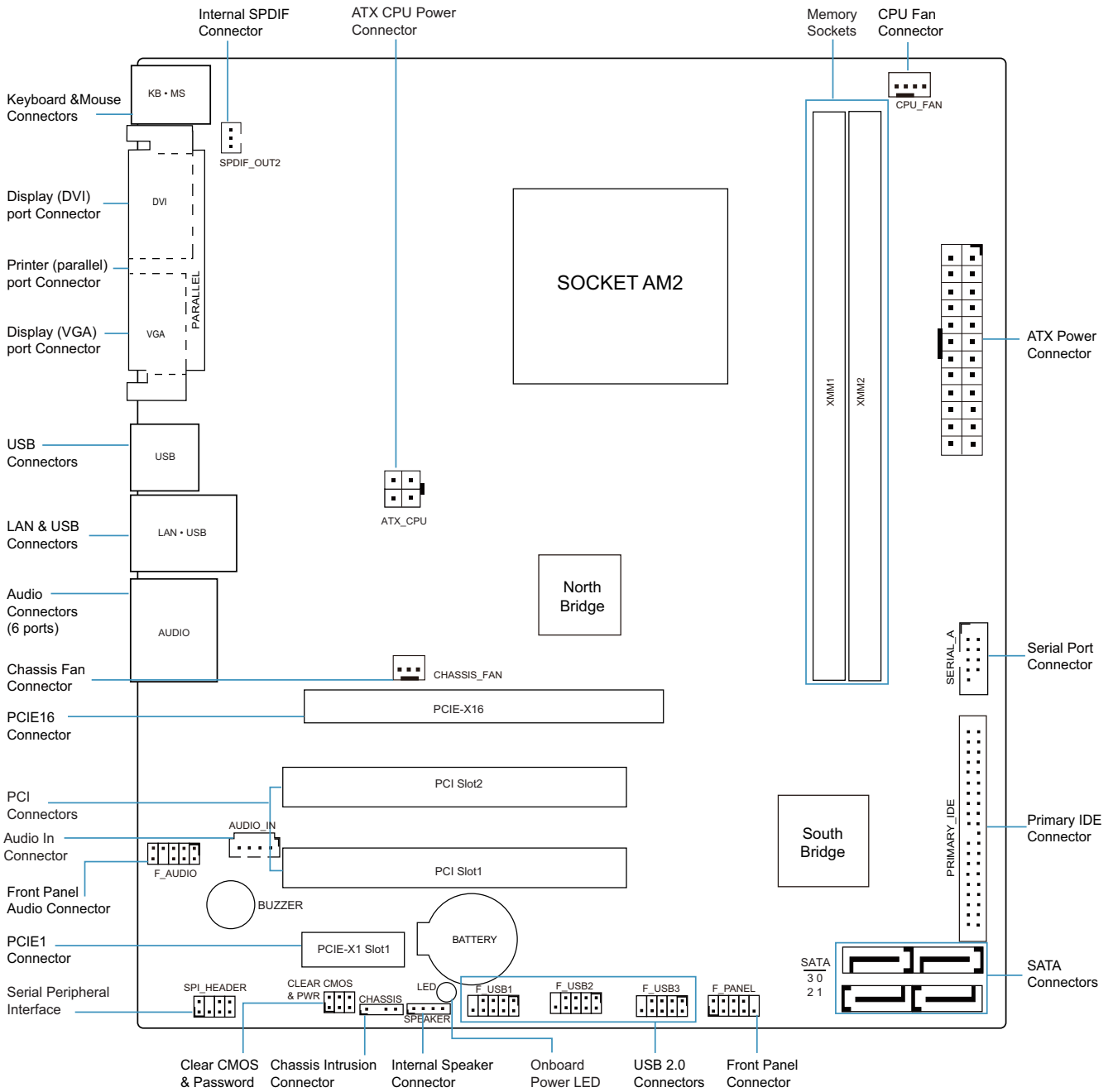
Contents

- Specifications summary
- Motherboard layout
- Rear panel connectors
- Function selectors
- Internal connectors

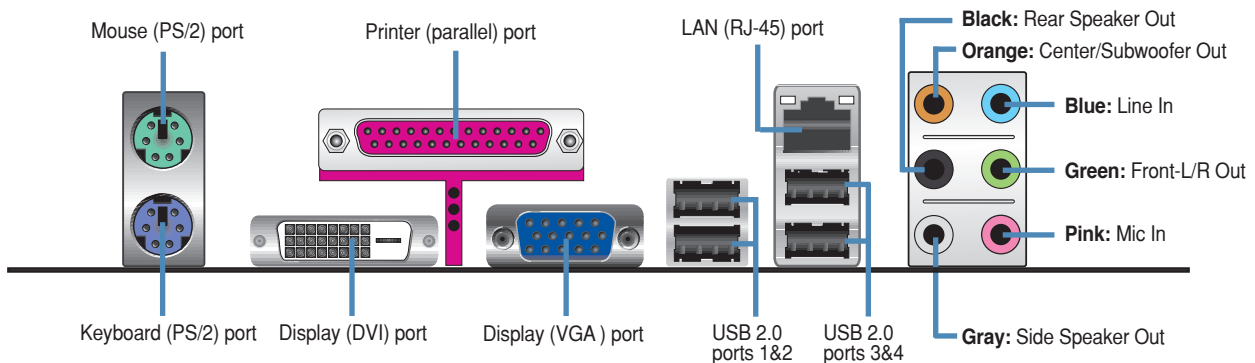
Specifications summary

CPU	Socket: Socket AM2+ (AMD) Supports: Athlon64, Athlon64FX, Athlon64X2, Sempron, Phenom FX, Phenomx4 HT1: 200/400/600/800/1000MHz
Chipset	North Bridge: RS780C South Bridge: SB600
Graphic	Integrated Graphics in North Bridge, DVI, VGA, HDCP
Memory	Dual channel, 2 slots, Non-ECC, 240-pin DDR2, max 4GB Types: 533/PC2-4200, 667/PC2-5400, 800/PC2-6400, 1066/PC2-8500
Audio	Azalia CODEC ALC888S-VC (6 Channels or 8 Channels)
Form factor	Custom: 9.6 in. x 8.6 in.
Expansion slots	1x PCI Express Graphic slot (x16) 1x PCI Express slot (x1) 2x PCI slot
LAN	Realtek RTL8111C PCIe
1394	(none)
USB	Max. 10x USB 2.0 ports (6 onboard headers, 4 on rear panel) 12Mbps/480Mbps
Storage	4x SATA ports (4 onboard headers) SATA150/300, ATA133
BIOS	AMI 8Mb SPI
Rear panel ports	1x PS2 Mouse port + 1x PS2 Keyboard port 1x Parallel (printer) port + 1x DVI port + 1x VGA (display) port 2x USB ports 1x LAN port + 2x USB ports 3x or 6x Audio ports
Selectors	Clear password, clear RTC,
Onboard connectors	1x SPDIF output header (optional) 1x Front panel audio header Max. 3x USB 2.0 dual port headers 1x Front panel connector 1x Serial peripheral interface (SPI) 4x SATA headers 1x Serial (COM) port header 1x System chassis speaker header 1x Speaker connector 1x Audio input header (AUX_IN) 1x System chassis intrusion header
Power connectors	1x 24-pin ATX (+12V EPS power connector) 1x 4-pin ATX (+12V power connector) 1x CPU FAN connector 1x System Chassis FAN connector

Motherboard layout

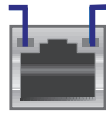


Rear panel connectors



LAN port LED indicators

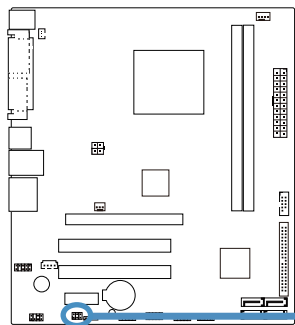
Left (ACTIVITY)
Yellow: Activity
Off : No Activity



LAN port

Right (SPEED)
Green : 1Gbit Link
Orange: 100M Link
Off : 10M Link

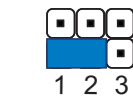
Function Selectors



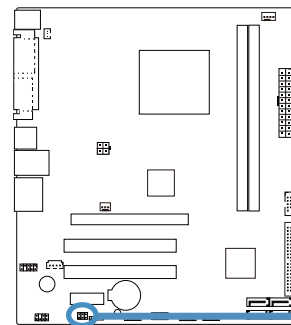
CLEAR PASSWORD SELECTOR



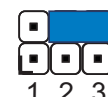
1 2 3
(Default)



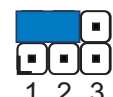
1 2 3
Clear Password



CLEAR CMOS SELECTOR



1 2 3
(Default)



1 2 3
Clear CMOS

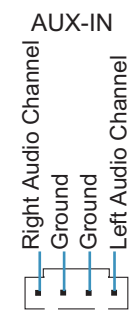
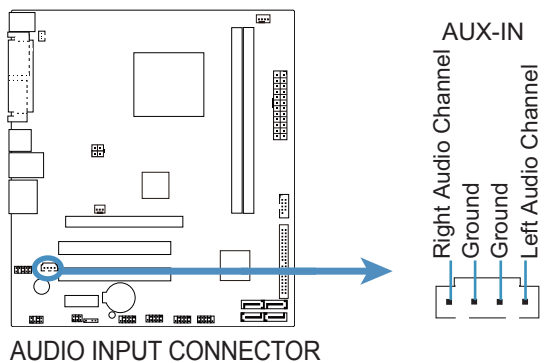
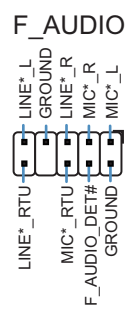
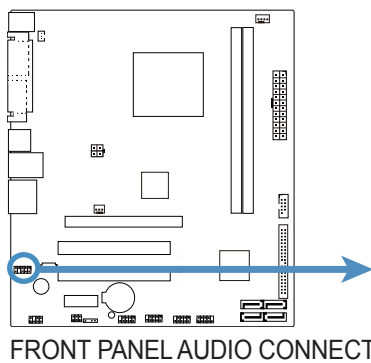
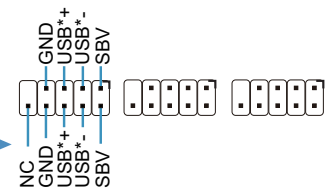
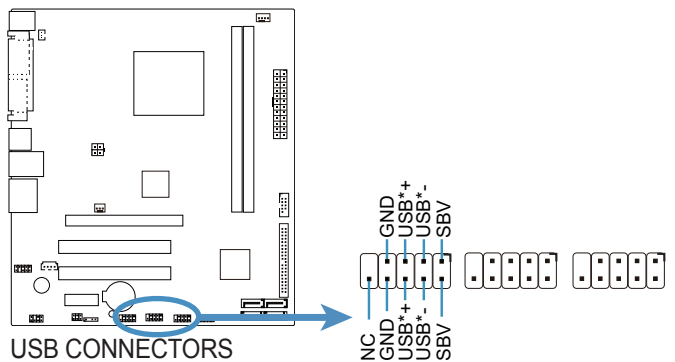
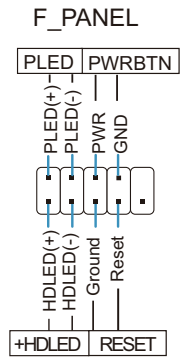
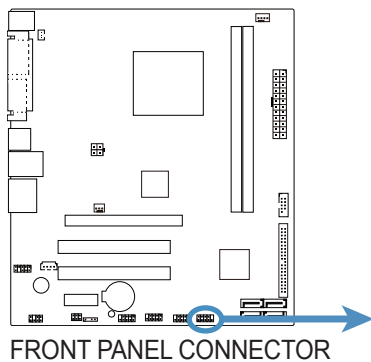
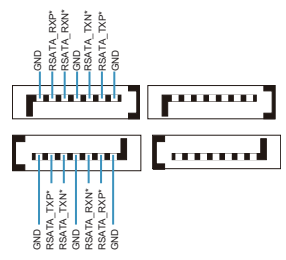
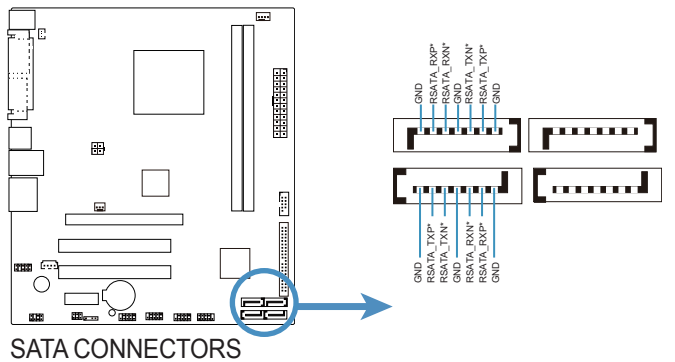
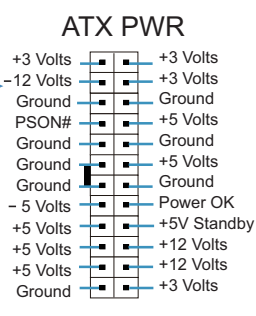
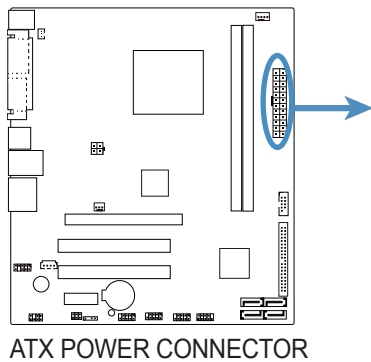
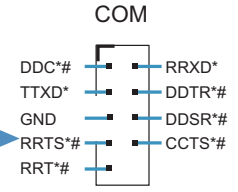
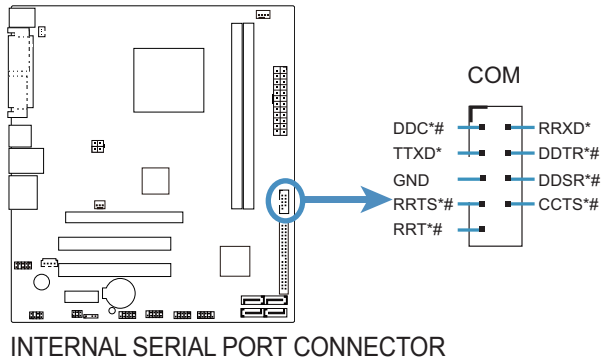
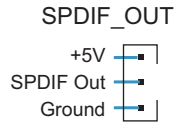
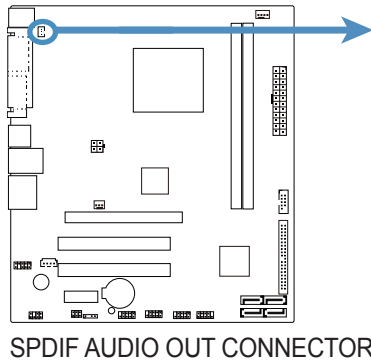
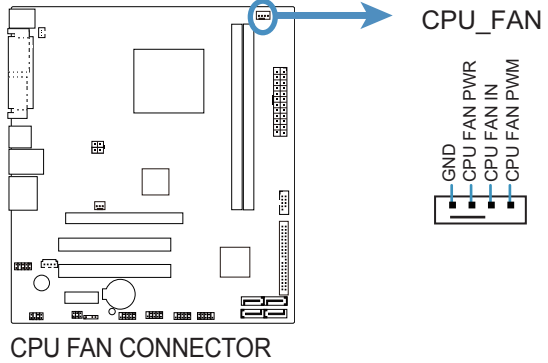
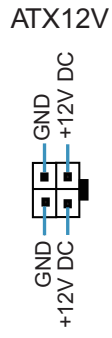
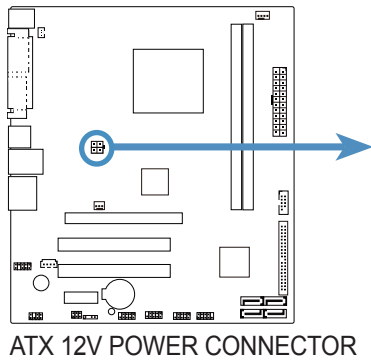
To erase the CMOS RTC RAM password:

1. Turn OFF the computer.
2. Move the cap to **Clear**, then turn on the computer to POST screen.
3. Press the power button to turn off the computer.
4. Move the cap back to Default.
5. Turn on the computer.
6. Enter BIOS setup to verify or configure new settings.

To erase the CMOS RTC RAM user settings:

1. Turn OFF the computer and unplug the power cord.
2. Move the cap to clear for 5 to 10 secs, then move the cap back to default.
3. Plug the power cord and turn ON the computer.
4. During the boot process, enter BIOS setup to re-enter user settings.

Internal connectors



Internal connectors (cont'd)

